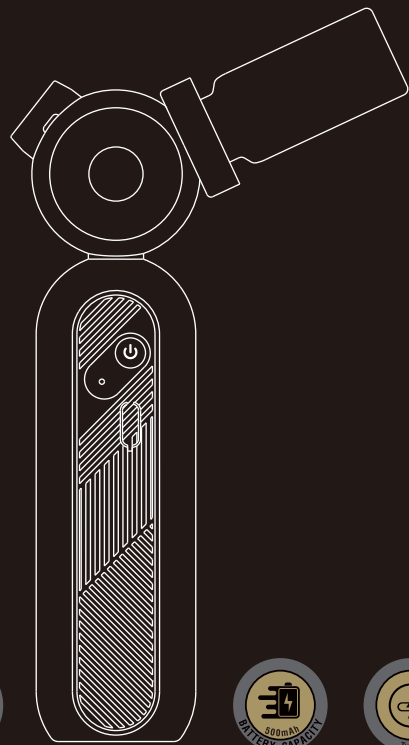




## MINI AFTERSHAVE MISTER SPRAY



The STYLANCE Mini Aftershave Mister is a innovative designed barber turbojet mister to apply aftershave after the fresh haircut. A sensational aftershave experience your clients will appreciate.

### INTRODUCTION



For correct, safe use follow the instructions below. Please keep these instructions for future reference.



**PLEASE NOTE:** If some parts of this handbook are difficult to understand or in the event of any doubt, please contact the company at the address provided on the final page of this manual before using the product.

The manufacturer cannot be considered responsible for any damage to people or property caused by any use other than that described in this instruction handbook. The instructions in this handbook provide explanations for the set-up, use, and correct maintenance of the product. Carefully follow the instructions to ensure safe use and a long-lasting product.



This instruction handbook is an integral and essential part of the product and should not be separated from it.

### IMPORTANT SAFETY INSTRUCTIONS



**KEEP THE PRODUCT OUT OF REACH OF CHILDREN.**



**WARNING: RISK OF SUFFOCATION DO NOT LEAVE ANY PARTS OF THE PACKAGING IN REACH OF CHILDREN OR DISABLED PERSONS.**



**WARNING: RISK OF ELECTRIC SHOCK. IF THE PRODUCT SHOULD FALL OR RECEIVE ANY STRONG BLOWS, HAVE IT CHECKED IMMEDIATELY BY THE MANUFACTURER OR AN AUTHORISED TECHNICAL ASSISTANCE SERVICE.**

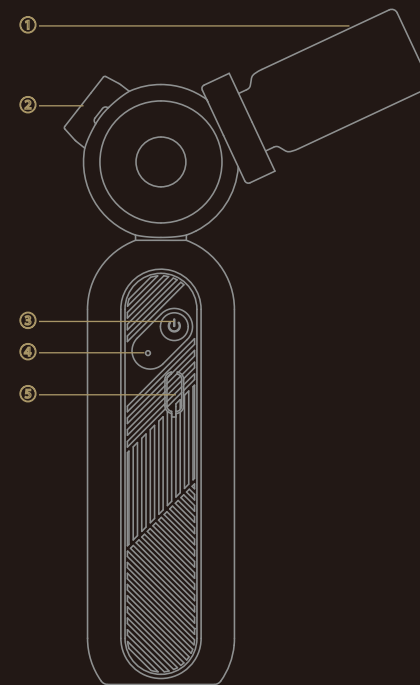


**WARNING: RISK OF ELECTRIC SHOCK. NEVER PLACE THE APPLIANCE IN WATER OR OTHER LIQUIDS!**



Never replace the battery without professional assistance. The battery must be removed and disposed of by a qualified technician or by the manufacturer in compliance with local environmental by-laws.

### Product structure introduction



- ① Water bottle
- ② Spray nozzle
- ③ Switch
- ④ Pilot lamp
- ⑤ Type-C charging por

Product Name: MINI Aftershave Mister Spray	Rated power: 3.5W
Applicable skin type: Any skin type	Pressure value: 130Pa
Charging Interface: Type-C	Capacity: 10ml
Charging time: 60min	Flow rate: 3ml/min
Battery capacity: 500mAh	Product size:
Charging voltage: 5V	161.6 x 87.6 x 29.2 mm

Please read this manual carefully before use. And take good care of it for future inquiry.



## MINI AFTERSHAVE MISTER SPRAY

### Product Instructions

#### ● USE

1. Before the product is used for the first time, please connect the power supply and wait until it is fully charged before normal use.
2. Long press the key to turn on for 3 seconds; gently press the power button to turn on the on the automatic mode, continue to spray, and tap again to stop the spray;
3. After use, press and hold the key to turn it off for 3 seconds.

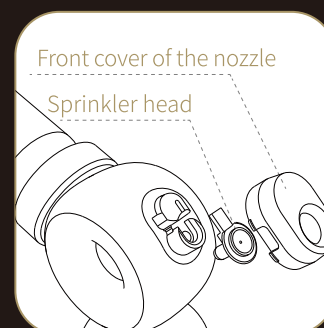
#### ● CHARGING

Please insert the equipped Type-C charging cable into the charging port. When the indicator light flashes red, it is charging. When the indicator light shows that the red light does not flash, the charging is completed.

#### ● CLEANING

If you need to clean before changing cosmetics, or encounter a plugging nozzle, please refer to the following cleaning methods:

1. Please use the concave sides of the front cover of the nozzle first. Take off the front cover of the nozzle, and then remove the nozzle;
2. Soak the nozzle in warm water to complete the cleaning;
3. Install the nozzle first, and then install the front cover of the nozzle.



### How product works

The solution is atomized into small molecules through high pressure. When it becomes foggy, it atomizes and touches the skin, which is more easily absorbed by the skin.

### Precautions

1. Please use it correctly according to the manual.
2. Do not turn on the power when charging, unplug the power before picking up and use.
3. After power on, no operation for 3 minutes, power protection, will automatically shut down.
4. Do not use stimulating chemicals to wipe the instrument.
5. Do not place in sunlight and high temperature.
6. please do not soak the instrument in water or start in the water, resulting in the failure of the salver; 7, please place in a place where infants and young children can not touch.
8. the product to keep charging 1 time a week, is conducive to the protection of the battery.
9. the product injected into the water cosmetic is better, to avoid injecting too sticky cosmetic Avoid the nozzle clogging caused by too viscous cosmetics; 10.
10. If the nozzle is occasionally clogged, please clean the nozzle according to the cleaning process.



Made in China.