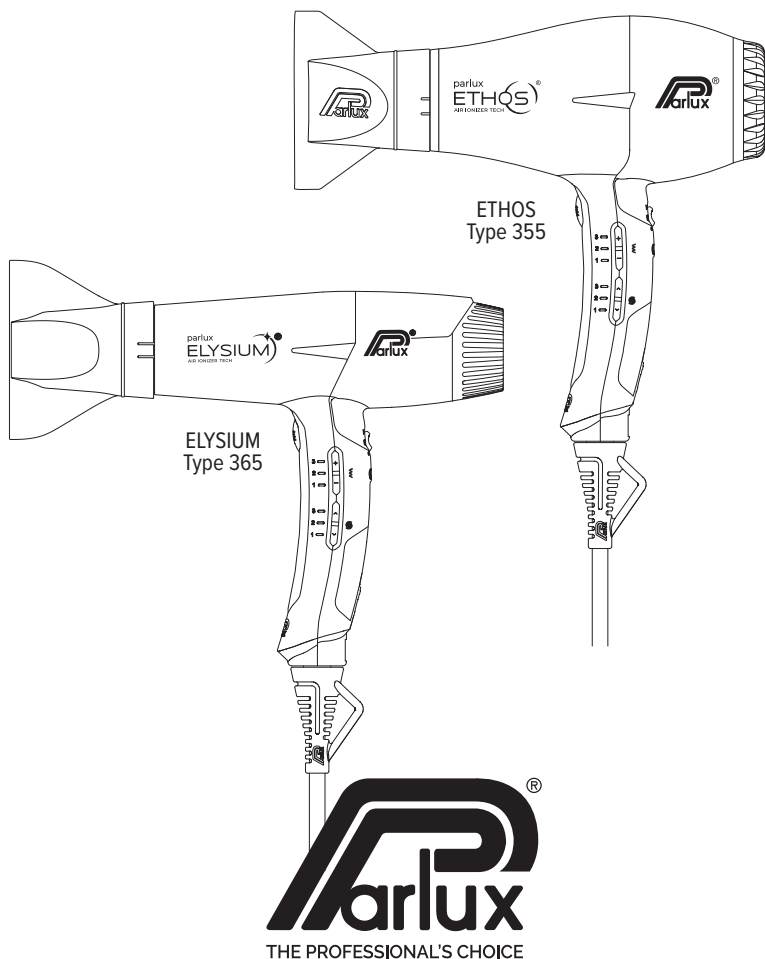


MADE IN ITALY - PROFESSIONAL USE

# Parlux ETHOS / Parlux ELYSIUM

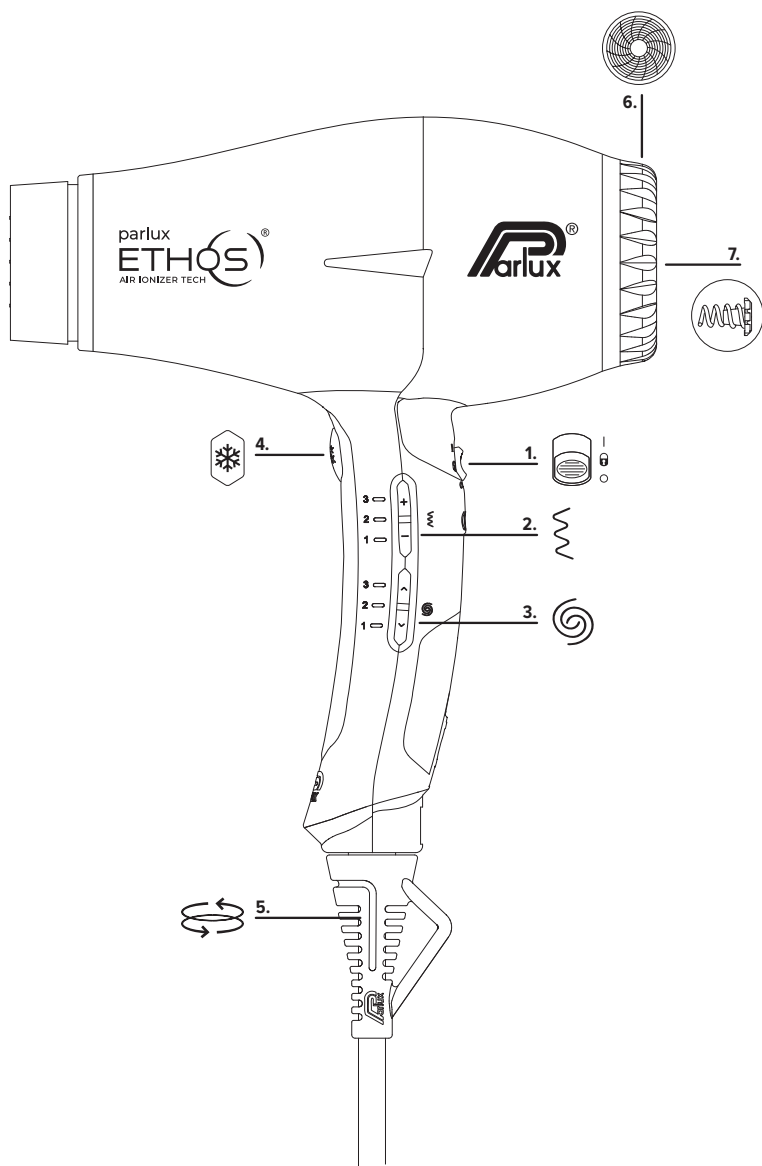
## ENGLISH



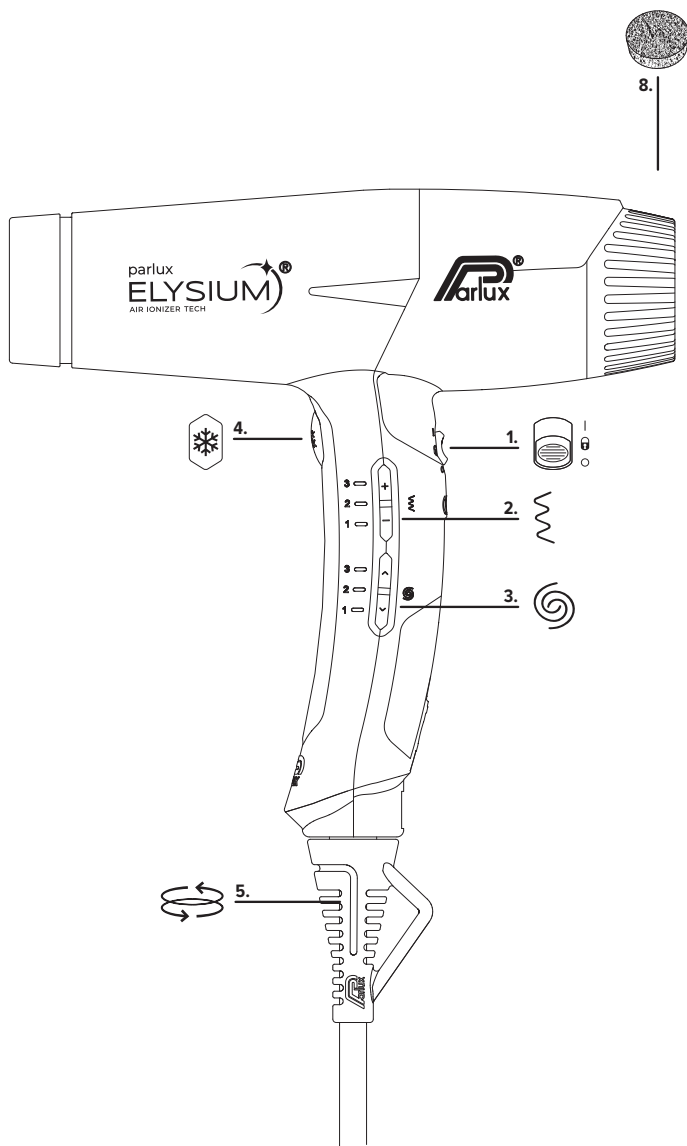
PARLUX SPA | via Goldoni, 10/12, 20090 Trezzano Sul Naviglio (MI)

t. +39 02 484.026.00 ra. | [info@parlux.it](mailto:info@parlux.it) | [www.parlux.it](http://www.parlux.it)

# Parlux ETHOS



# Parlux ELYSIUM



## WARNING: Electric Shock Hazard.

---

- Do not disassemble the appliance.  
In case of failure or malfunctioning, contact a qualified customer service center.
- Use the appliance only for the purpose it was designed for. Do not use it on wigs or animal fur. Do not direct the air flow towards other objects, electrical appliances or similar items. The manufacturer declines all responsibility for damage that may be caused by the incorrect use of the appliance.
- Before using your appliance check the voltage.
- The device can be used at 50 Hz or 60 Hz without requiring any adjustments.
- Always unplug the appliance after use.
- Do not place in or drop into water or other liquid.
- Do not reach for an appliance that has fallen into water.  
Unplug immediately.
- Do not remove the filter when the appliance is plugged in.
- To avoid damaging the cable and to prevent all associated risks, do not wrap the cable around the device.
- Do not touch the front grill during appliance use to avoid the risk of burning.
- Do not use the back of the hairdryer (filter) to vacuum hair or other impurities.



**WARNING:** Do not use this appliance near bathtubs, showers, basins or other vessels containing water.



Our appliances comply with EMC directive 2014/30/UE and with the Low Voltage directive 2014/35/UE.



This symbol indicates that the product must be recycled separately. Its suitable recycling will help protect the environment. For further information on recycling this product please contact the shop where you purchased the article.



The class II symbol, or Double Insulation, indicates that this product has been made in such a way as not to need an electrical connection to earth. These products are made so that, in the event of a single breakdown, the user will not have any contact with dangerous voltage, as the enveloping structure is made in an insulating material.



The sound pressure value of Parlux hair dryers is below 70 dB (A), as set out by the reference standards.

## INSTRUCTION FOR USE

---

- When the hairdryer is used in a bathroom, unplug it after use since the proximity of water presents a hazard even when the hairdryer is switched off.
- For additional protection, the installation of a residual current device (RCD) having a rated residual operating current not exceeding 30 mA is advisable in the electrical circuit supplying the bathroom. Ask your installer for advice.
- If the supply cord is damaged, it must be replaced by the manufacturer, its service agent or similarly qualified persons in order to avoid a hazard.
- This appliance can be used by children aged from 8 years and above and persons with reduced physical, sensory or mental capabilities or lack of experience and knowledge if they have been given supervision or instruction concerning use of the appliance in a safe way and understand the hazards involved. Children shall not play with the appliance. Cleaning and user maintenance shall not be made by children without supervision.
- For safe use, remove dust and hair from the hairdryer filter on a weekly basis.

# Your new Parlux hairdryer

Congratulations on your new professional hairdryer. This product complies to the regulations in force for professional appliances. This appliance is designed to be used in commercial areas. To prevent damages and risks caused by non-complying use, follow these instructions and keep them for future reference.

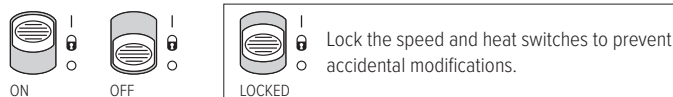
## UP TO 9 COMBINATIONS OF USE

With the new generation of Parlux products you can choose from 3 speeds and 3 heat settings for a total of 9 different combinations for the desired effect.

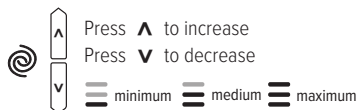
## MEMORY

The hairdryer memory function enables to restart the appliance on the last speed and heat setting selected - as long as you do not unplug it.

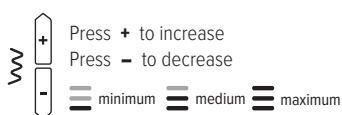
### 1. ACTIVATION, DEACTIVATION, LOCKING



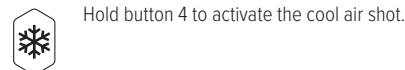
### 2. SETTING THE AIR FLOW SPEED



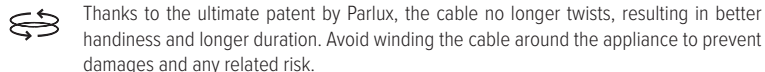
### 3. SETTING THE HEAT TEMPERATURE



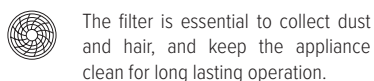
### 4. COOL AIR SHOT



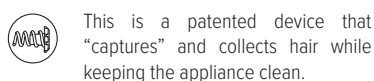
### 5. NEW 360° PIVOTING CABLE-HOLDER



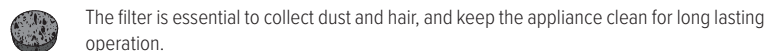
### 6. METAL FILTER - ETHOS



### 7. HAIR FREE SYSTEM DEVICE (HFS) - ETHOS



### 8. SPONGE FILTER - ELYSIUM

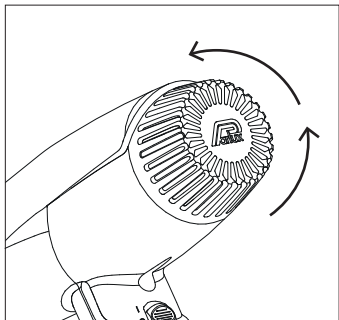


## Hairdryer care - ELYSIUM

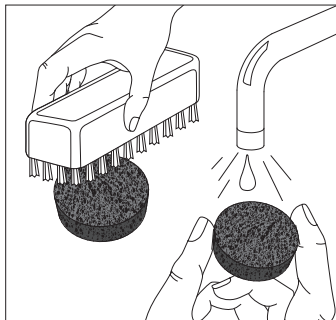
Make sure to unplug the hairdryer before starting any cleaning operation.

A clean filter is key for safe and proper use of the hairdryer. Make sure you clean it on a weekly basis to prevent the appliance from overheating, which may result in malfunctions and alter the heat temperature with consequent hair damage.

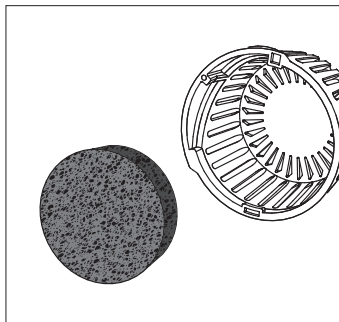
### CLEANING THE FILTER:



**1.** Rotate the filter cap and remove the sponge filter.



**2.** Rinse the filter under hot water and remove any residual hair, hair spray and dust with a small brush. In case of stubborn impurities, use a degreaser. Dry the sponge filter.



**3.** Replace the filter and its cap in their corresponding housing.

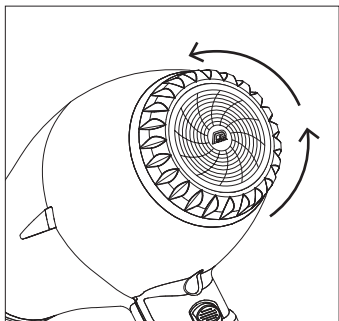
**For proper operation and to preserve the appliance in time, the filter cap and sponge must be positioned correctly when the hairdryer is ON.**

## Hairdryer care - ETHOS

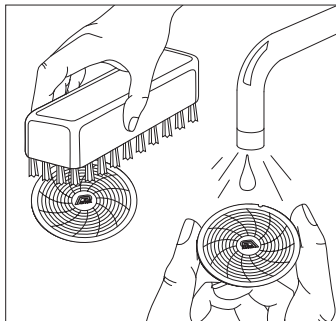
Always unplug the appliance before cleaning it.

The filter and HFS device are essential for safe and proper operation of the appliance. Make sure you clean them both on a weekly basis. Failure to do so may cause the hairdryer to overheat, which may result in malfunctions and alter the heat temperature with consequent hair damage.

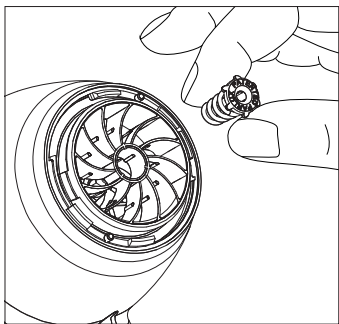
### CLEANING THE FILTER:



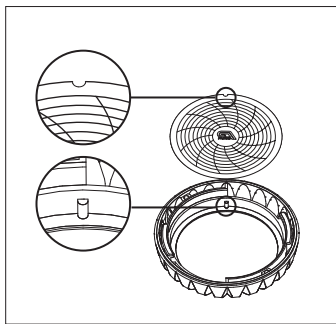
**1.** Rotate the filter cap and remove the metal filter.



**2.** Rinse the filter under hot water and remove any residual hair, hair spray and dust with a small brush. In case of stubborn impurities, use a degreaser. Dry the filter.



**3.** Pull the HFS device out from its central housing and remove captured hair.



**4.** Make sure to align the two reference marks on the metal filter and the filter cap.

**5.** Reinsert the HFS device in its housing and replace the filter cap with the bayonet-fitting metal filter.

**During operation, the filter cap with its metal filter and the HFS device must be properly mounted on the hairdryer at all times to prevent malfunctioning and preserve the appliance.**



**ISO 9001  
CERTIFIED  
COMPANY**