

FEATURES

1. Rapid and Versatile Cleaning

This innovative Automatic Hair Brush Cleaner is designed to clean all varieties of hair brushes in just seconds. Whether it's a paddle brush, a round brush, or a detangling brush, no matter the size or bristle type, it can be thoroughly cleaned with ease.

2. Swift Sanitization

Not only does it clean, but it also sanitizes hair brushes and any salon accessories within seconds. This ensures that your brushes are free from germs, bacteria, and other harmful microorganisms, providing a hygienic grooming experience.

3. Advanced Infrared Sensing for Fully Automatic Operation

Equipped with an infrared sensing system, the cleaner operates fully automatically. As soon as you place the hair brush in the designated area, the system detects it and starts the cleaning or sanitizing process without any manual intervention required.

4. Precise Ultrasonic Spray System

The ultrasonic spray system is a key feature of this cleaner. It evenly sprays sanitizing liquids onto the hair brushes, ensuring that every part of the brush is covered. This not only maximizes the sanitization effect but also helps in deep - cleaning the bristles.

5. Transparent Design and LED Lighting for Visibility

The see - through front housing, combined with LED lights, enables users to clearly observe the working status of the cleaner. You can watch as the brushes are being cleaned and sanitized, ensuring that the process is going smoothly.

6. Easy - to - Clean Magnetic and Removable Front Housing

The front housing is both magnetic and removable. This design makes it extremely convenient to clean the inside of the housing. When there is dirt or residue build - up, simply remove the front housing for a quick and thorough clean.

7. Hassle - Free Trash Disposal with Automatic Push - Pull Trash Bin

The automatic push - pull trash bin is a user - friendly addition. After the cleaning process, disposing of the hair and other debris is a breeze. Just push the bin out, empty it, and push it back in place.

8. Long - Lasting Sanitizer Supply

Featuring a 200ml sanitizer bottle with an automatic supply system, this cleaner can operate for weeks without the need for frequent refills. The automatic supply system ensures that the right amount of sanitizer is dispensed during each cleaning cycle.

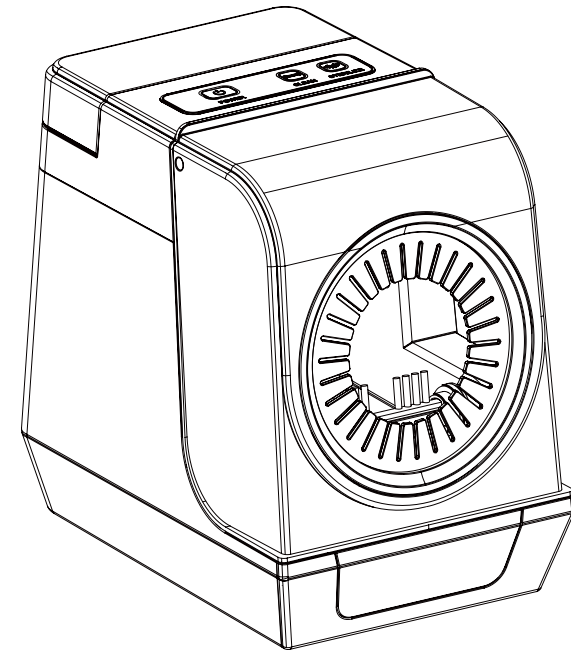
9. Compact and Space - Saving

Despite its numerous features, the cleaner has a compact size. It doesn't take up much space on your countertop, making it suitable for both home and salon use.

10. Global Patent Pending

This Automatic Hair Brush Cleaner is a cutting - edge product with a design that is currently pending worldwide patent, highlighting its uniqueness and innovation.

Instruction Manual



2-IN-1 AUTOMATIC HAIR BRUSH CLEANER

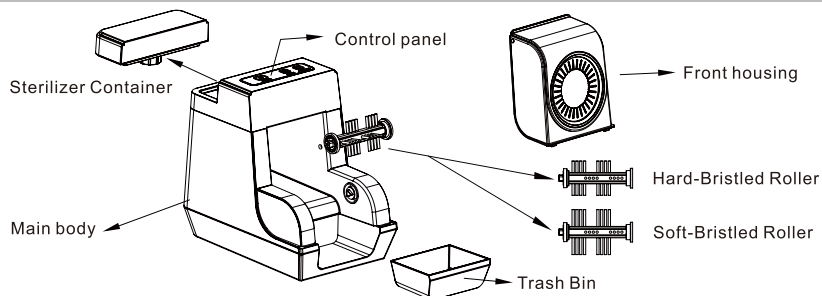
The Ultimate Solution for cleaning salon hair brushes



About this Manual

Before using this unit, please read this manual carefully. Be sure to keep it available for later reference.

Name of product component

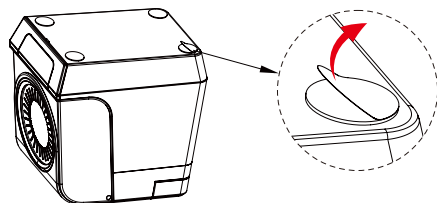


Product Specification Parameters

Product Name	Automatic hair brush cleaner
Product model	JY-370
Electrified type	DC power adapter
Input	AC100-240V 50/60Hz
Output	DC24V --- 2000mA
Product size	227x160x221 mm
Net weight of the product	1.6 Kg
Sterilizer capacity	200ml

OPERATION

Place the unit on a flat surface. To prevent slipping, 4 anti-slip silicone pads are fitted on the bottom. Remove the protective film from the pads so they grip firmly.

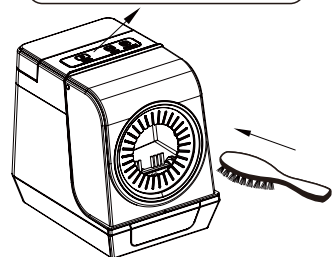


• CLEANING MODE



1. Select the appropriate roller. A hard-bristled roller is suitable for cleaning Hair brushes, while a soft-bristled one is suitable for cleaning Hair clippers.
2. Connect the Power supply, press the "POWER" button to turn on the machine, and press the "CLEAN" button to enter the cleaning mode.
3. Press the "CLEAN" button once again, the cleaning function will be activated.

Each cleaning cycle runs for 15 seconds. If you need more time for cleaning, simply press the "CLEAN" button once again to run another cycle.



• STERILIZATION MODE

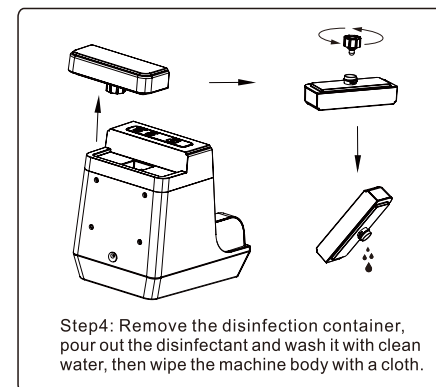
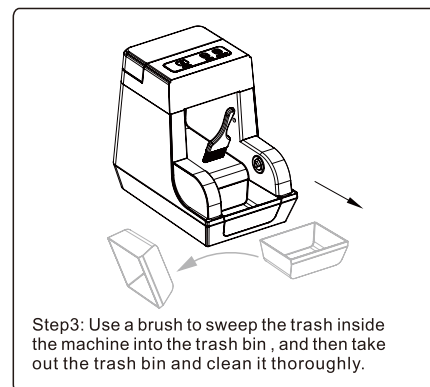
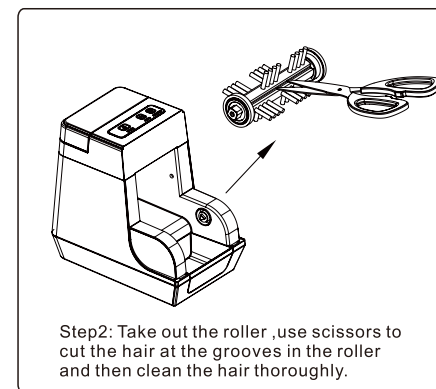
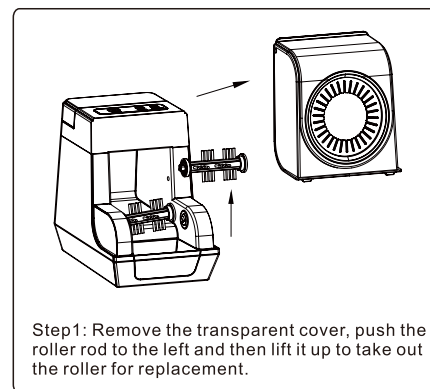
1. Remove the Sterilizer Container and fill it with proper Sterilizer.
 2. Press the "POWER" key to power on, and press the "STERILIZE" key to enter the Sterilizing mode.
 3. This device is designed to adopt most types of Sterilizer in the market, such as High-concentration alcohol (75% w/v), Sodium Hypochlorite (0.05%-0.1% w/v), Hydrogen Peroxide (3%-6% w/v), Benzalkonium Chloride (0.05%-0.1% w/v), Polyhexamethylene Guanidine (PHMG) (0.1%-0.5% w/v).
- WARNINGS:** If using alcohol as a disinfectant, keep away from open flames and high-temperature objects.
4. Each sterilization cycle runs for 5 seconds. If you need more time for sterilization, simply press the "STERILIZE" button once again to run another cycle.

• AUTOMATIC MODE

This device comes with an automatic-sensing system, when you stick a hair brush into the housing, the system will automatically sense it and active either cleaning function or sterilization function, depending on the working mode. The sensor is located on the upper part of the housing, please wave the hair brush up and down so that the system can sense it.

CLEAN AND MAINTAINING

Please turn off the machine and disconnect the power supply before cleaning the equipment.



If you do not use the equipment for a long time, be sure to pour out the disinfectant and wash the container with water before drying.